

DON'T RISK YOUR APPLIANCE WARRANTY
ONLY A LICENSED PERSON WILL GIVE YOU A COMPLIANCE CERTIFICATE, SHOWING THAT THE WORK COMPLIES WITH ALL THE RELEVANT STANDARDS.

AND ONLY A LICENSED PERSON WILL HAVE INSURANCE PROTECTING THEIR WORKMANSHIP FOR 6 YEARS.

SO MAKE SURE YOU USE A LICENSED PERSON TO INSTALL THIS APPLIANCE AND ASK FOR YOUR COMPLIANCE CERTIFICATE TO ENSURE THE MANUFACTURERS APPLIANCE WARRANTY WILL BE HONOURED.

Should you require assistance or further information please contact your Cannon distributor.

Date Installed:

Installed By:

Compliance Certificate No

For service to this appliance or spare parts contact the **CANNON** distributor:

Sampford IXL - Spare Parts

Phone: 1300 727 421

Fax: 1300 727 425

Email: aftersaleservice@sampfordixl.com.au

Sampford IXL

**Cannon
Weather box kit
Powerflue**

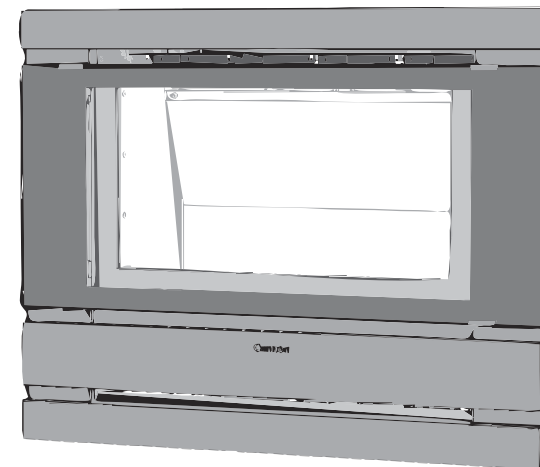
Part Number:
F4061_A

INSTALLATION INSTRUCTIONS

Cannon

Weatherbox kit to suit

Powerflue Inbuilt heaters



***PLEASE READ THIS MANUAL
BEFORE INSTALLING AND
USING THIS PRODUCT.***

Read these instructions in conjunction
with heater installation instructions

Please leave instructions with the owner

IAPMO-R&T



**GMK10030
AS4553:2008**

CONTENTS

Kit Components Page 2
Installation Notes Page 3
Notes Page 6

NOTES

8. With the other available flexible pipe that came with the heater, fit that pipe to the air inlet. Cut flexible pipe to suitable length and then secure the pipe with the hose clamp supplied. Insert the PVC adaptor into the other end of the flexible flue pipe and secure with a hose clamp, then insert the PVC pipe into the PVC adaptor. Finally attach the PVC vent to the other end of the PVC pipe.
9. Apply silicone sealant to the inner surface of the flexible flue pipe, (around 25 - 40mm penetration) insert the 100mm length of stainless steel pipe into the flexible flue pipe. Use the hose clamp that came with the heater to secure the flexible pipe onto the stainless steel pipe.
10. Insert the other end of the stainless steel pipe into the flue cowl pipe.
11. Orientate the flue cowl so that the wall plate angles downwards (Fig 7). Use the six #8 x 1/2" Pan Head screws to secure the wall plate to the weatherbox.

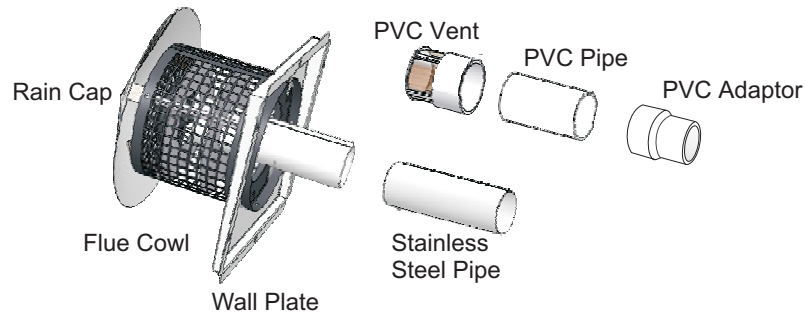


Fig 6.
These components are provided with the heater accessory pack

12. Use cover plate shown in (Fig 1) to cover the other opening that is not used.

Note:
For flue that is horizontal, the rain cap may be removed if required.
For flue that is vertical, the rain cap **MUST NOT** be removed.

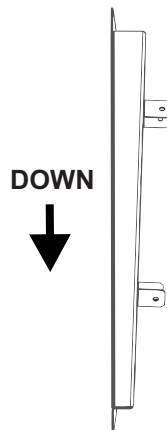


Fig 7.

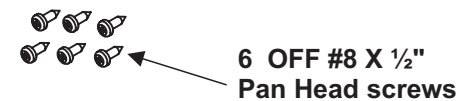
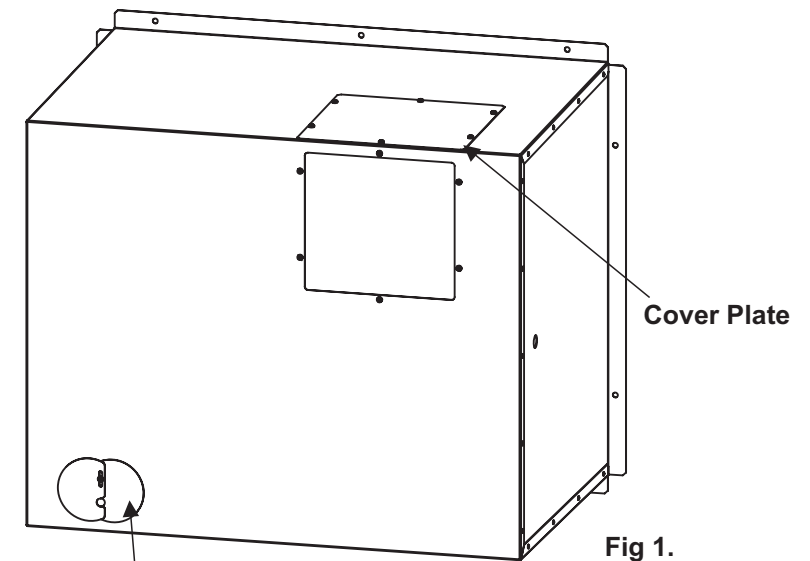
KIT COMPONENTS

Please observe the following installation instructions and diagrams carefully. Your Cannon Weatherbox Kit is designed for easy installation with your Cannon Heater by a Licensed Service person only. The heater is for installation with the supplied Flue and Terminal only.

ENSURE STRUCTURAL INTEGRITY AND COMPLIANCE WITH BUILDING REGULATIONS.
IN ALL SITUATIONS A MOCK FIRE PLACE KIT MUST BE INSTALLED AND IS PROVIDED WITH THE HEATER.

This weatherbox allows for fluing to be either horizontal or vertical.

Your Weatherbox comes pre-assembled. Remove the Weatherbox from the packaging and ensure that the following are present (Fig 1.). To complete this installation you will also require components supplied with the heater.



INSTALLATION NOTES

Ensure structural integrity and compliance with building regulations when installing this product.

1. Cut an opening in wall at the desired position and to dimensions shown in (Fig 4).
2. Install the powerflue heater as shown in the heater installation instructions. In all situations the mock fireplace kit must be installed. Also refer to (Fig 5).

3. Position the weatherbox over the rear of the heater from the outside. Secure weatherbox to wall with appropriate fasteners. Use suitable sealant between weather box and wall surface to ensure a water tight seal (in some instances flashing may be required).

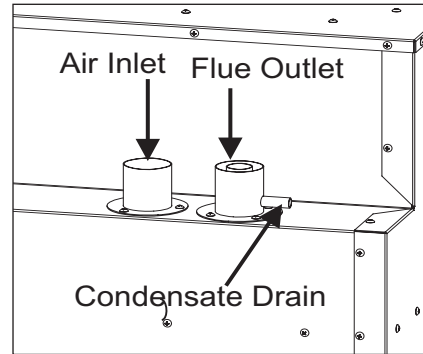


Fig 2.

4. Connect the condensate tube provided with the heater to the condensate drain (Fig 2). Clamp in place with the hose clamp provided. Feed the tube through the condensate hole on the LHS of the weatherbox.

5. Attach gas and electrical supply through cut-out provided in rear of the weather box. The electrical connection must be weatherproof. Installations where the switch is not easily accessible require a suitable isolation switch at the main board.

6. Bend tabs outwards on the wall plate and secure flue cowl using screws (Fig 3).

7. The flue cowl can be positioned on the weatherbox either on the rear or on the top. Place the cowl (with wall plate fitted) onto the weatherbox. Line up the flue outlet pipe with the pipe on the flue cowl. These pipes are the same diameter, if the wall plate does not meet the weather proof box trim the cowl pipe to size.

Note:
The other flue opening can be used to assist with the fitting of the flexible flue pipes and condensation drainage hose.

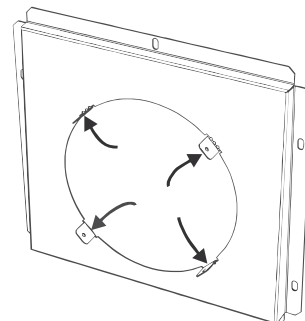
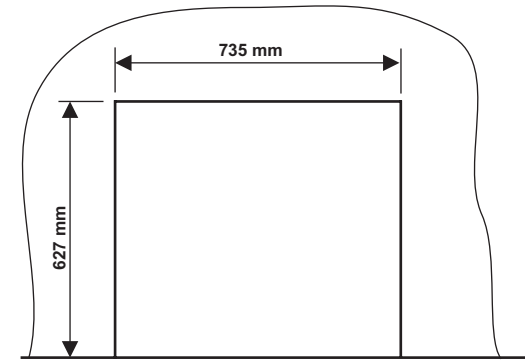


Fig 3.



CUT-OUT DIMENSIONS

Fig 4.

ENSURE STRUCTURAL INTEGRITY AND COMPLIANCE WITH BUILDING REGULATIONS

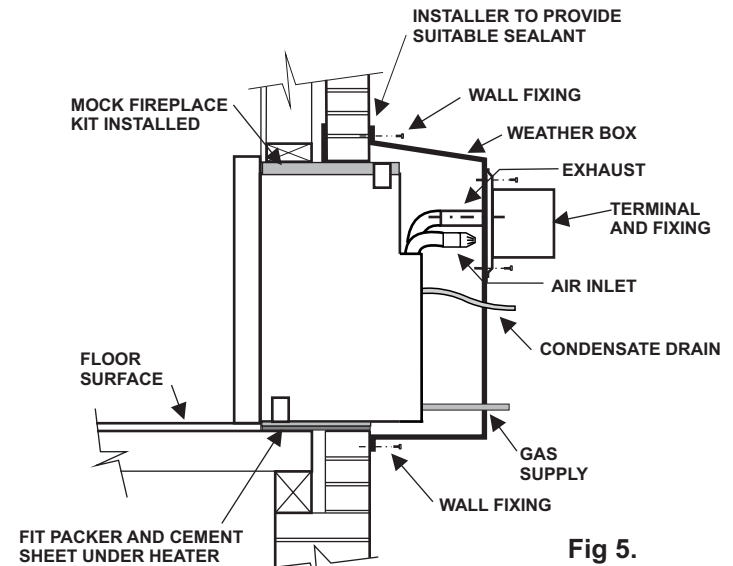


Fig 5.

INSTALLATION MAY VARY DEPENDANT ON CONSTRUCTION OF WALL & POSITION