



RHEEM 5 STAR GAS STORAGE WATER HEATER

		2 - 5	275 or 305L	10 YEAR
GAS	5 STAR	PEOPLE	1st HOUR CAPACITY	CYLINDER WARRANTY ¹



FEATURES

- **5 Star energy efficiency** – uses less gas than 3 or 4 Star water heaters, so saves on home gas bills
- **Mains pressure** at multiple taps – to service multiple hot water demands at once
- **145 L/hr recovery²** – so you're back in hot water fast
- **275L or 305L first hour capacity²** of hot water
- **Compact size** – 490mm diameter, for easy replacement of existing 3 star gas water heaters
- 10 Year Cylinder Warranty¹

RheemPlus® 265/295 models available

- 50°C temperature limited models supply hot water at a maximum 50°C at all outlets in accordance with AS3498.
- No addition tempering valve required³

WHY CHOOSE RHEEM GAS STORAGE HOT WATER?

- Designed for Australia's tough conditions, utilising over 70 years of experience
- Capacities to suit most family sizes and hot water requirements
- Fast hot water recovery
- Mains pressure water delivery for steady, hot and strong hot water
- Full technical support through Rheem's National Service Network
- Available in Natural Gas



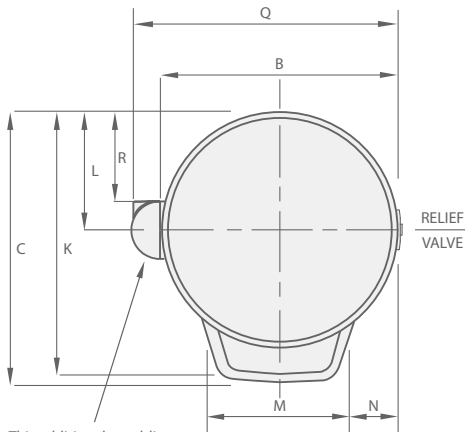


RHEEM 5 STAR GAS STORAGE WATER HEATER

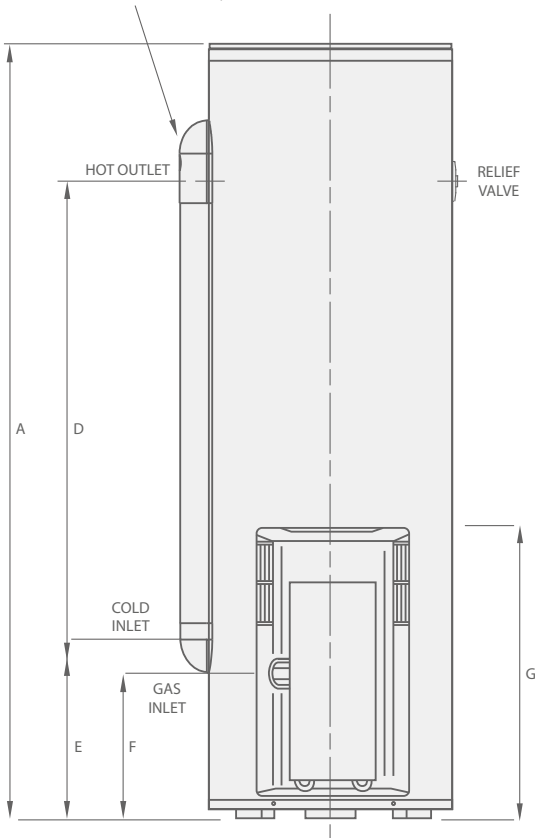
MAINS PRESSURE HOT WATER WHEN YOU NEED IT

Mains pressure gas storage water heaters are your guarantee of consistent hot water. You can be sure of a strong flow of hot water, even to multiple taps at once.

With a range of capacities, there is a model for every budget and family, and Rheem's modern design complements any home.



This additional moulding fitted to RheemPlus® only



MODEL	RHEEM 5 STAR GAS	
	265	295
Rheem 5 Star	850265N0	850295N0
RheemPlus® 5 Star (50°C limited) ³	854265N0	854295N0
Suitable for no. of people		
Moderate Climate	2-4	3-5
Cool Climate	2-3	3-4
Cylinder Warranty ¹	Years	10
Gas Type	Natural Gas	
Gas Energy Rating	Stars	5.3
Storage Capacity	Litres	130
Recovery Rate @ 45°C	L/hr	145
First Hour Capacity ²	Litres	275
Hourly Gas Consumption Natural Gas	MJ/h	30
Dimensions		
A	mm	1600
B	mm	490
C	mm	556
D	mm	988
E	mm	332
F	mm	302
G	mm	605
K	mm	528
L	mm	240
M	mm	300
N	mm	95
Q (RheemPlus® only)	mm	545
R (RheemPlus® only)	mm	182
Weight Empty	kg	75
Relief Valve Setting	kPa	1400
Expansion Control Valve (ECV) Setting	kPa	1200
Max. Water Supply Pressure		
with ECV	kPa	960
without ECV	kPa	1120
Water Connection	Rp ¾	Rp ¾
Gas Connection	Rp ½	Rp ½

¹ Warranty: 10 Years on Cylinder, 1 Year Labour on Cylinder, 1 Year Parts & Labour warranty on all other components for Domestic (non-Commercial) installations.

See Rheem's warranty set out in the product's Owner's Manual or view it at www.rheem.com.au/warranty.

² Based on 45°C temperature rise.

³ 50°C factory pre-set models supply hot water at a maximum 50°C at all outlets in accordance with AS 3498. Some applications may require tempering, refer to AS 3500.4.

© Registered Trademark of Rheem Australia Pty Ltd.

Materials and data are subject to change without notice.



Rheem Australia Pty Ltd.

1 Alan Street, Rydalmere, New South Wales 2116, Australia
PO Box 7508, Silverwater, New South Wales 2128, Australia.

Rheem MKT_5 Star Gas Storage Spec Sheet 06/2018

