



Twin Filter Housings Kit

MODEL NUMBERS: AS10J, AS20J, KAS10J, KAS20J, KAS10JM, KAS20JM

Applications

Microlene Twin Housing Kits suitable for all applications where cartridge filtration is required. Stand alone 10" Jumbo and 20" Jumbo twin kits with matching filter cartridge options.

Benefits of Microlene's Twin Filter Housings Kit

- Material of construction is glass reinforced polypropylene
- Jumbo housings take cartridges of 114mm OD (4.5")
- This heavy-duty water filter system double filters the water, and ensures maximum cartridge life for medium to large families
- Install two kits when higher flow rates are required

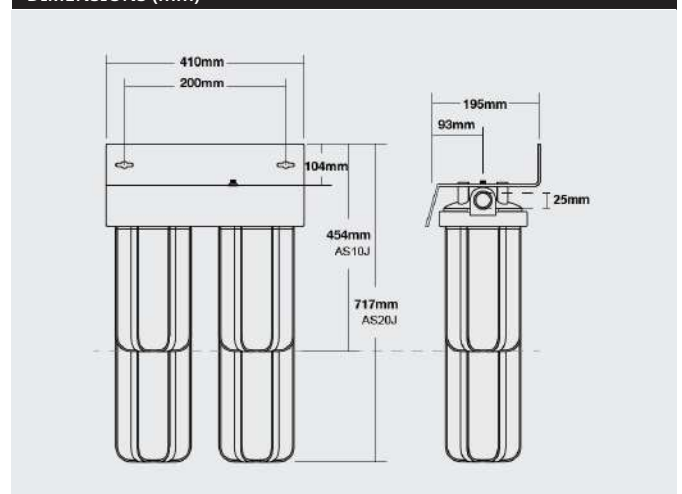
Rainwater Solutions

- KAS10J - Jumbo Twin 10" Housings supplied with matching filter cartridges:
20 micron poly pleated (for larger sediment, dirt, rust and leaf matter) and **1 micron poly spun** (for parasitic cysts and fine particle sediment)
- KAS20J - Jumbo Twin 20" Housings supplied with matching filter cartridges:
20 micron poly pleated (for larger sediment, dirt, rust and leaf matter) and **1 micron poly spun** (for parasitic cysts and fine particle sediment) filter cartridge

Mains Water Solutions

- KAS10JM - Jumbo Twin 10" Housings supplied with matching filter cartridges:
5 micron poly spun (for sediment found in mains supply), and **5 micron carbon block** (for taste and odour)
- KAS20JM - Jumbo Twin 20" Housings supplied with matching filter cartridges:
5 micron poly spun (for sediment found in mains supply), and **5 micron carbon block** (for taste and odour)

DIMENSIONS (mm)



Tested in compliance with
AS/NZS 4020
for use in contact with safe drinking water

Filters and Housing under WaterMark application

Technical data on following page >

Microlene Twin Filter Housing Kits

Operating Limits						
Application	Twin Housings Only		Rainwater Solutions		Mains Water Solutions	
Model	AS10J	AS20J	KAS10J	KAS20J	KAS10JM	KAS20JM
1st Filter	None Included (left open for other tailored requirements)		20 micron Poly Pleated (for larger sediment, dirt, rust and leaf matter), recommended cleaning every 3 – 6 months and replacing every 12 months		5 micron Poly Spun (for finer sediment found in mains water) recommended replacing every 6 – 12 months	
2nd Filter	None Included (left open for other tailored requirements) None included		1 Micron Poly Spun (for parasitic cysts and fine particle sediment) recommended replacing every 6 – 12 months		5 micron Carbon Block (for taste and odour) recommended replacing every 6 – 12 months or earlier if taste and odour becomes present	
Connections	25mm(1") FBSP					
Recommended max flow	125 lpm	155 lpm				
Max system pressure	880kPa (128PSI)					
Water temperature	0 - 40°C					
Maximum ambient temperature	50°C					
Other inclusions	Housing spanner, fixings for bracket					



daveywater.com

This literature is not a complete guide to product usage. All images provided in this document are for illustration purposes only. Further information is available from your Davey Dealer, Davey Support Centre and from the relevant product Installation and Operating Instructions. Must be read in conjunction with the relevant product Installation and Operating Instructions and all applicable statutory requirements. Product specifications may change without notice. © Davey and Microlene are registered trademarks of Davey Water Products Pty Ltd. © Davey Water Products Pty Ltd 2020.